



8D/8E/8R

SANDEX

8D/8E/8R Dimensions

(Unit : mm)

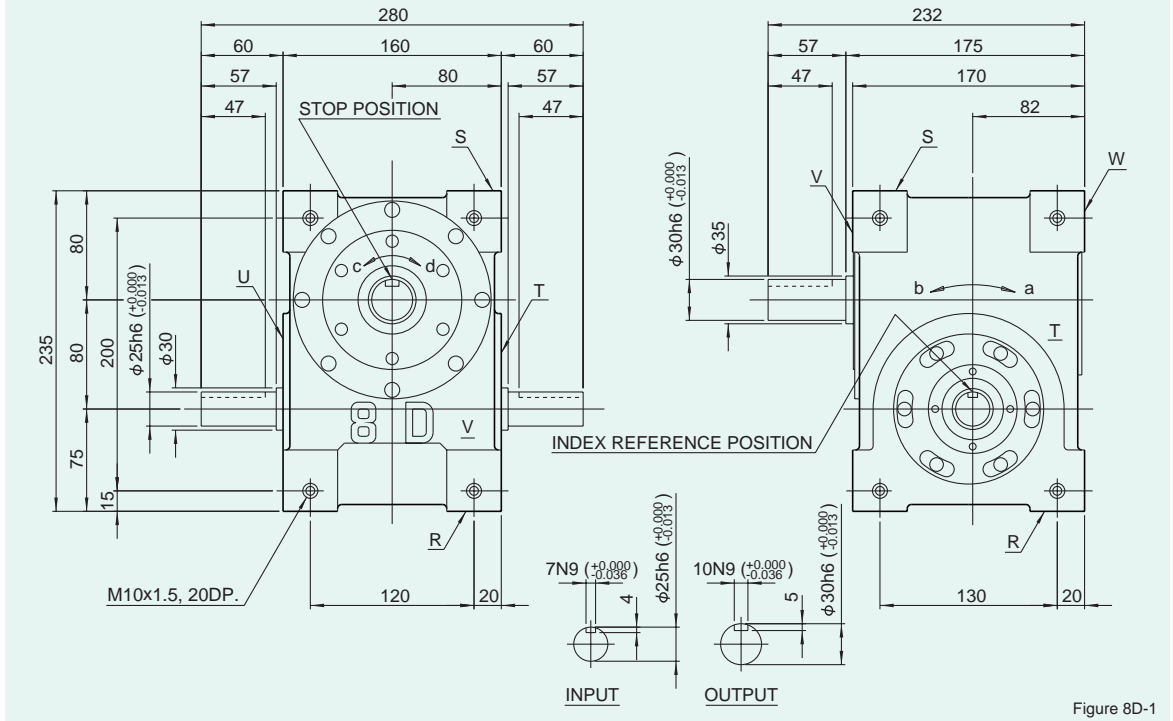
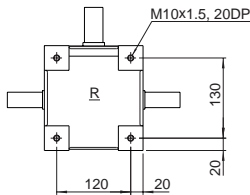


Figure 8D-1

Mounting hole locations

Figure 8D-2



Dimension of R and S surface

Locations of oil plug, etc., and oil capacity

Figure 8D-3

Mounting position	1	2	3	4	5	6
Location						
Oil capacity (ℓ)	1.2	0.8	1.4	1.2	0.7	1.4

Precautions

- Each point indicated in the mounting positions shown in Figure 8D-3 represents (starting at top) the oil plug (PT1/2), oil level (VA), and drain (PT1/2).
- The mounting positions correspond to code i for the indexing, oscillating, and roller drives.
- The oil levels indicated in Figure 8D-3 are given in general figures and will differ according to the profile of the cam and the number of cam followers.

Specifications

Table 8D-1

Item	Symbol	Unit	Value	Item	Symbol	Unit	Value	Item	Symbol	Unit	Value
Output allowable axial load	P_1	N	2156	Input allowable axial load	P_4	N	2058	Indexing accuracy (1 DWELL)		sec	±30
Output allowable radial load	P_2	N	2156	Input maximum repetitive bending force	P_5	N	1862	Indexing accuracy (2 DWELL)		sec	±60
Output static torque	T_s	N·m	Refer to Torque Capacity Table	Input maximum repetitive allowable torque	P_6	N·m	181.3	Indexing accuracy (3 DWELL)		sec	±90
Output torsional rigidity	K_1	N·m/rad	5.29×10^4	Input torsional rigidity	K_2	N·m/rad	1.67×10^4	Indexing accuracy (4 DWELL)		sec	±120
Output inertia	J_o	kg·m ²	1.79×10^{-3}	Input inertia	J_1	kg·m ²	2.25×10^{-3}	Repetitive accuracy		sec	15
Output allowable bending moment	P_3	N·m	63.7					Product weight		kg	29
								Housing color		Gray	

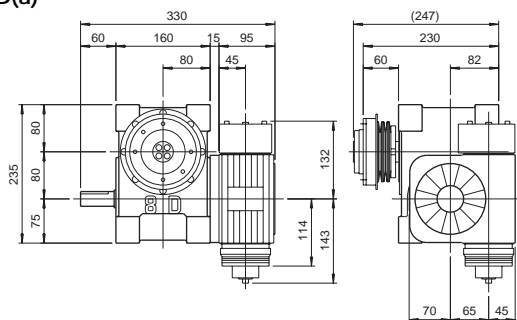
Note : Input inertia : J is calculated in dwell.

(1N=0.102kgf)

Mounted accessories

Figure 8D-4

8D(a)

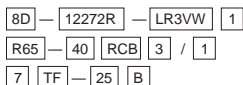


Example Model Code

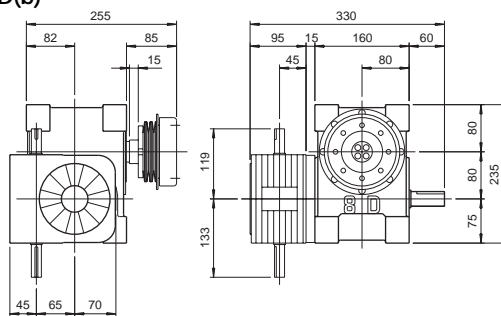
Indexing Drive

Reducer

Torque Limiter



8D(b)

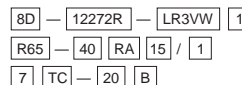


Example Model Code

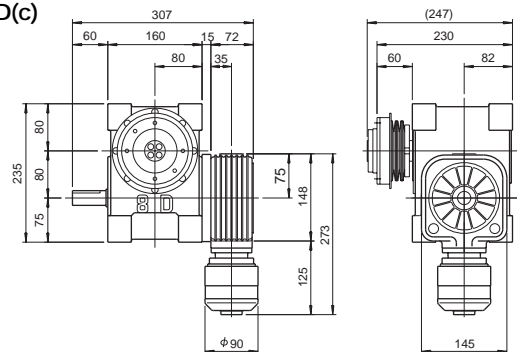
Indexing Drive

Reducer

Torque Limiter



8D(c)

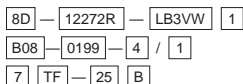


Example Model Code

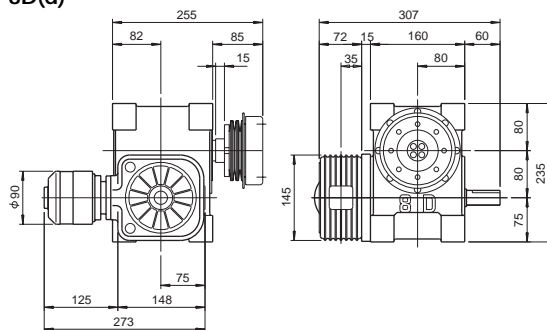
Indexing Drive

Cambalancer

Torque Limiter



8D(d)

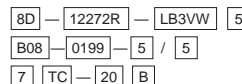


Example Model Code

Indexing Drive

Cambalancer

Torque Limiter



Precautions

- Models 8D,8E, and 8R can be equipped with reducer R65.
- The reducer can be mounted in 16 different positions as shown on page of Reducer.
- Models 8D, 8E, and 8R can be equipped with torque limiters 7TF, 8TF, 7TC and 8TC.
- Torque limiter TC-types require a collar for mounting.
- Reducer R65 requires a collar for mounting.