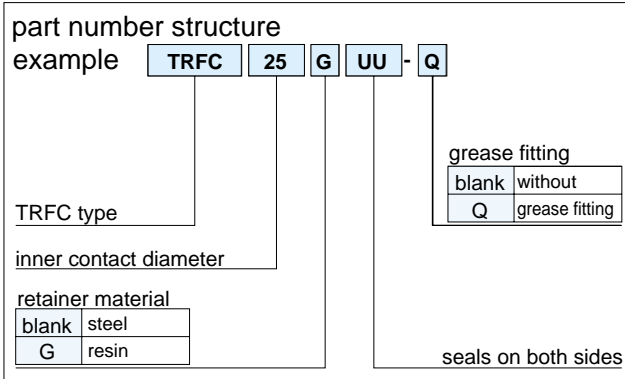


TRFC TYPE

— Triple-Wide Intermediate Position Round Flange Type —

This type is a metric dimension series widely used in Japan and other countries.

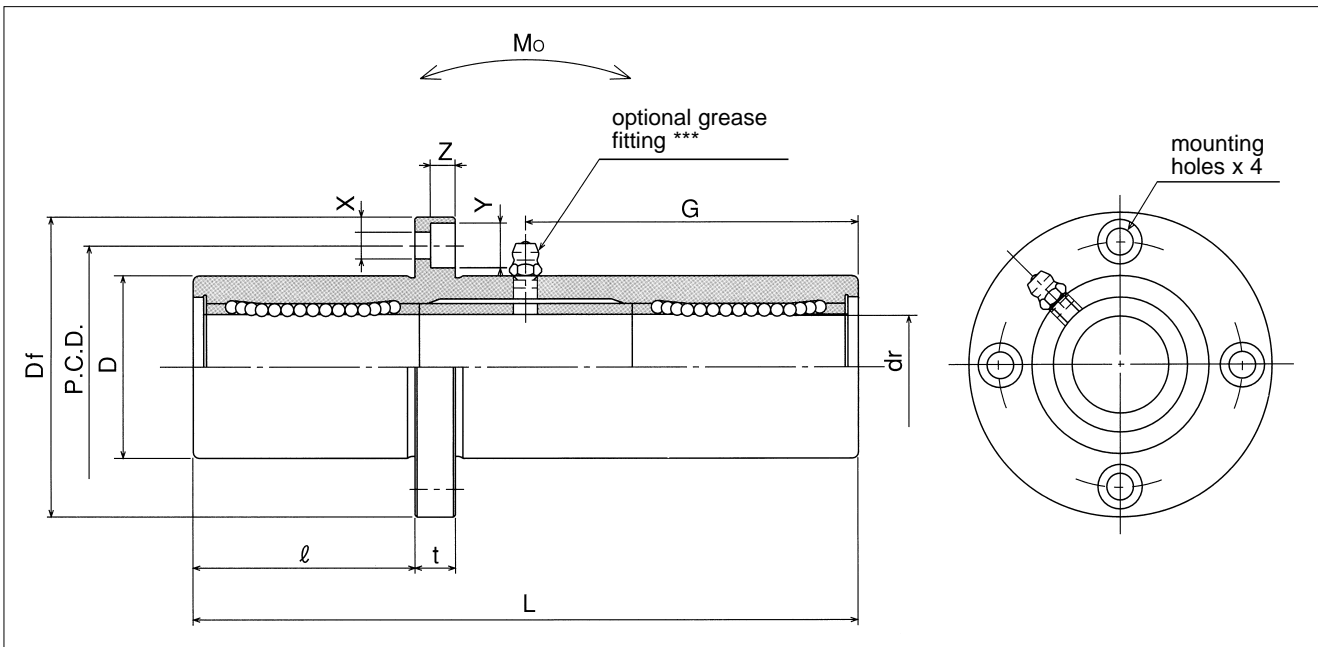


part number*							
steel retainer	resin retainer	dr		D		L	
		mm	tolerance μm	mm	tolerance μm	±0.3 mm	ℓ mm
TRFC 6UU	TRFC 6GUU	6	0	15	0/-18	51	17
TRFC 8UU	TRFC 8GUU	8	-12	19	0	66	22
TRFC10UU	TRFC10GUU	10	-15	23		80	27
TRFC12UU	TRFC12GUU	12		0	26	-21	84
TRFC13UU	TRFC13GUU	13	-18	28	0	90	30
TRFC16UU	TRFC16GUU	16		32		103	35
TRFC20UU	TRFC20GUU	20	0	40	-25	118	40
TRFC25UU	TRFC25GUU	25	-18	45	0	165	55
TRFC30UU	TRFC30GUU	30		52		182	61
TRFC35UU	TRFC35GUU	35	0	60	-30	200	67
TRFC40UU	TRFC40GUU	40	-21	65	0	230	77
TRFC50UU	TRFC50GUU	50		85		290	97
TRFC60UU	TRFC60GUU	60	0/-25	100	-35	310	104

* UU type seal is standard feature.

** Outer cylinder is electroless nickel plated.

*** TRFC6~8: A-MT6x1 TRFC10~30: A-M6F TRFC35~60: A-PT1/8



major dimensions				grease fitting G mm	eccentricity μm	perpen- dicularity μm	basic load rating		allowable static moment M_o $\text{N} \cdot \text{m}$	mass g	shaft diameter mm
flange							C	Co			
D_f mm	t mm	P.C.D. mm	$X \times Y \times Z$ mm								
32	5	24	3.5×6×3.1	20.5	20	20	323	530	8.2	66	6
40	6	29	4.5×7.5×4.1	29			431	784	16.0	135	8
43	6	33	4.5×7.5×4.1	38			588	1,100	27.0	205	10
46	6	36	4.5×7.5×4.1	41			813	1,570	40.1	248	12
48	6	38	4.5×7.5×4.1	45			813	1,570	42.9	308	13
54	8	43	5.5×9×5.1	51	25	25	1,230	2,350	73.5	412	16
62	8	51	5.5×9×5.1	59			1,400	2,740	98.0	752	20
74	10	60	6.6×11×6.1	82.5			1,560	3,140	157	1,244	25
82	10	67	6.6×11×6.1	91			2,490	5,490	297	1,636	30
96	13	78	9×14×8.1	100	30	30	2,650	6,270	373	2,580	35
101	13	83	9×14×8.1	115			3,430	8,040	553	2,950	40
129	18	107	11×17×11.1	145			6,080	15,900	1,370	6,860	50
144	18	122	11×17×11.1	155			7,550	20,000	1,800	9,660	60

1N \approx 0.102kgf 1N·m \approx 0.102kgf·m